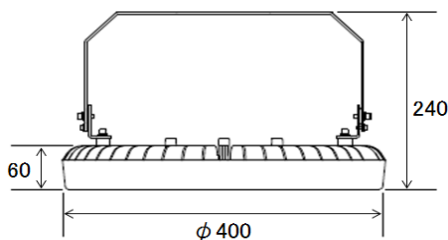


**SPECIFICATIONS**

2025.03.18

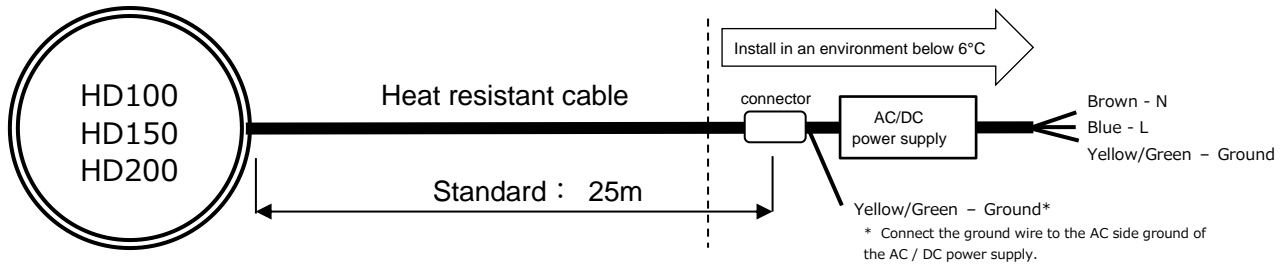
<b>High Temperature LED Lighting --- HD100 series</b>						
Model	<b>HD100</b>	<b>HD100-HT60</b> for 60°C	<b>HD100-HT80</b> for 80°C	<b>HD100-HT100</b> for 100°C	<b>HD100-HT135</b> for 135°C	<b>HD100-HT160</b> for 160°C
Input Voltage	AC100-240V 50/60Hz (with Meanwell AC/DC power supply)					
Power	100W	90W	75W	55W	30W	27W
Lumens	12000lm	10800lm	9000lm	6600lm	3500lm	3240lm
LED	Philips Lumileds					
Color temp.	3000K / 5000K					
Beam angle	120°					
Lifetime	60,000 hours					
Size	φ 400 × 240mm					
Weight	6.4kg					
Materials	Aluminum, Tempered glass					
Working temp.	-40°C~ +50°C	-40°C~ +60°C	-40°C~ +80°C	-40°C~ +100°C	-40°C~ +135°C	-40°C~ +160°C
Humidity	15~90% RH					
IP Code	IP65					

\*AC/DC power supply should be installed in an environment not exceeding 60°C



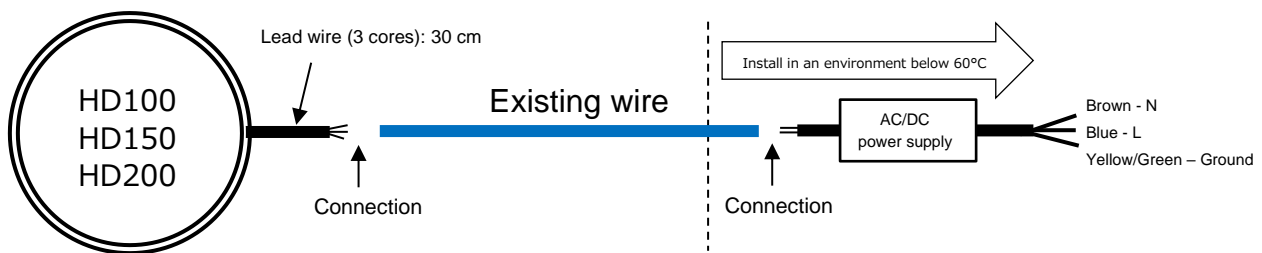
**Product configuration and installation in high temperature environment**

HD100 / 150 / 200 series come with an external AC/DC power supply separately from the LED itself. The external AC/DC power supply must be installed in a normal temperature environment apart from the LED itself.



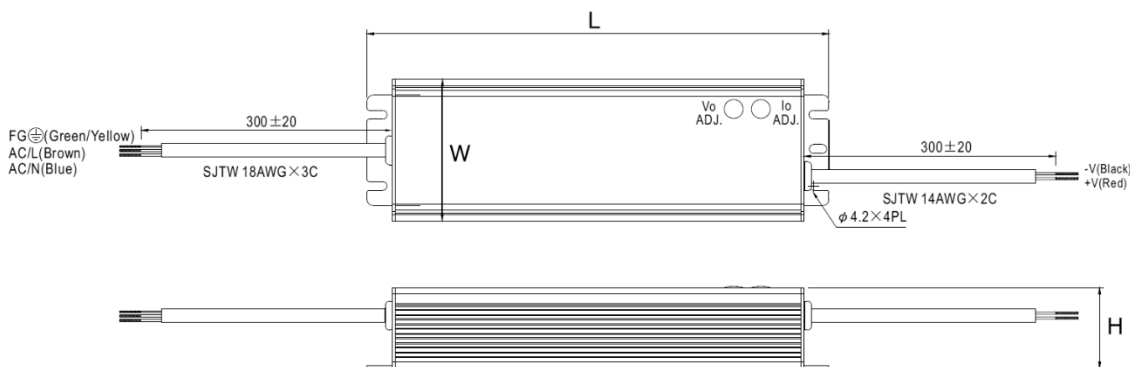
**When using existing wire** (heat resistant cable 25m is not included)

Connect the LED body and AC/DC power supply to the existing wires. The lead wire of the LED body is 3 cores (DC+, DC-, ground). Be sure to connect the ground wire together with the AC side ground of the AC/DC power supply.



\*Depending on the length of the existing wire, the illuminance may drop by about 10% due to the voltage drop.

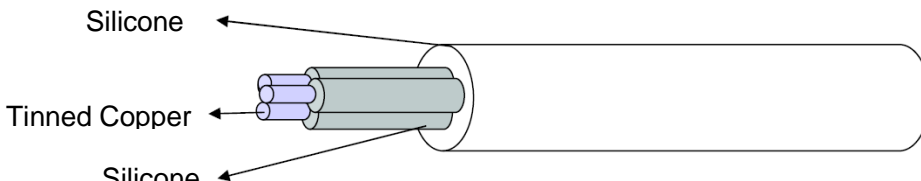
**AC/DC power supply**



Model	Dimensions(L*W*H)	Model	Dimensions(L*W*H)
HD100	220×68×38.8mm	HD100-HT100	171×61.5×36.8mm
HD100-HT60	220×68×38.8mm	HD100-HT135	171×61.5×36.8mm
HD100-HT80	195.6×61.5×38.8mm	HD100-HT160	171×61.5×36.8mm

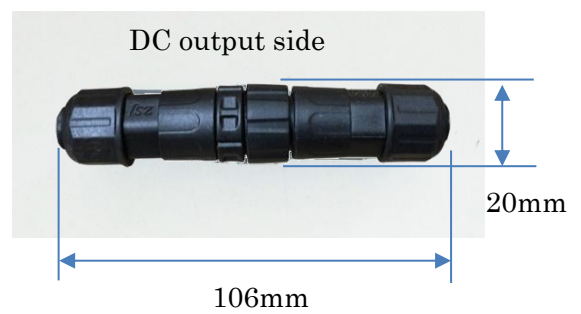
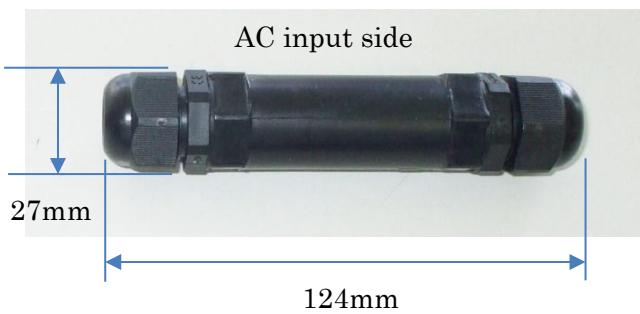
■ **Heat resistant cable**

Construction	VDE H05SS-F 3x1.0mm <sup>2</sup> (3 cores SQ1.0mm <sup>2</sup> )		
Temperature rating	+180°C	Outer diameter	7.00±0.40mm



The diagram shows a cross-section of the cable with three tinned copper cores in the center, surrounded by a silicone jacket. Labels with arrows point to 'Silicone' (top and bottom), 'Tinned Copper' (center), and 'Silicone' (bottom).

■ **Connector**



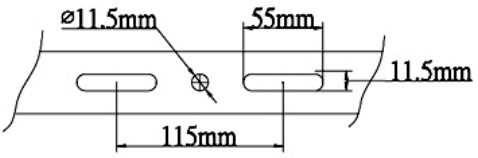
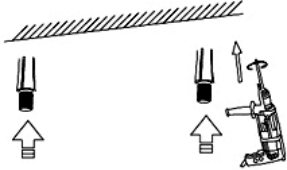
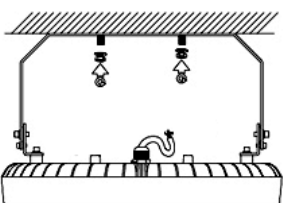
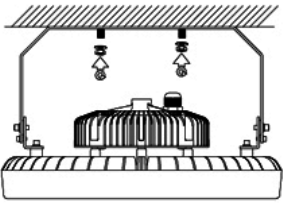
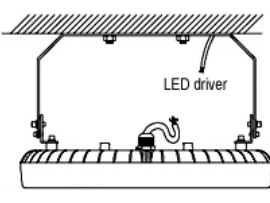
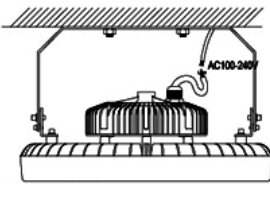
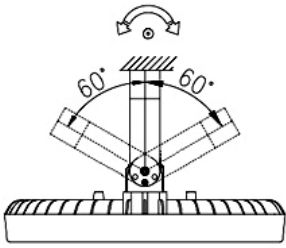
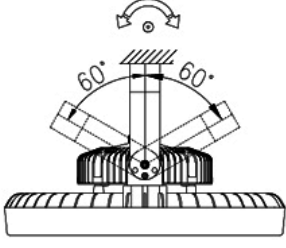
■ **Anti-fall wire (optional)**



Be sure to attach the anti-fall wire (stainless steel of  $\phi 1.5\text{mm}$  or more) to the two mounting hooks on the back of the luminaire.

\*Anti-fall wire is available as an option.

■ **Installation guide**

<p>Hole dimension for mounting</p> 	<p>1</p>  <p>Drilling holes in the ceiling, and install the expansion screws.</p>	
<p>2</p>  <p>Fix the bracket.</p>  <p>Fix the bracket.</p>	<p>3</p>  <p>LED driver</p> <p>Connect the cable to the driver.</p>  <p>AC100-240V</p> <p>Connect the cables. Brown-L, Blue-N, Yellow/green-Ground.</p>	<p>4</p>  <p>Adjust the bracket to the beam angle you need.</p>  <p>Adjust the bracket to the beam angle you need.</p>