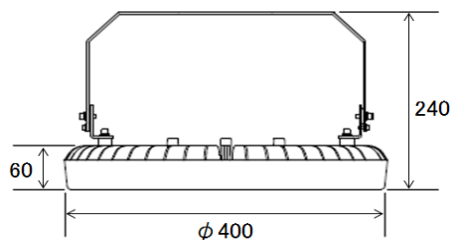


SPECIFICATIONS

2025.03.18

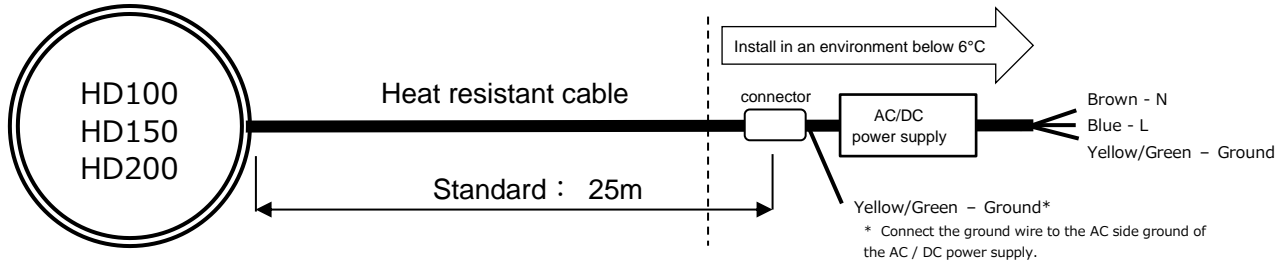
High Temperature LED Lighting --- HD200 series						
Model	HD200	HD200-HT60 for 60°C	HD200-HT80 for 80°C	HD200-HT100 for 100°C	HD200-HT135 for 135°C	HD200-HT160 for 160°C
Input Voltage	AC100-240V 50/60Hz (with Meanwell AC/DC power supply)					
Power	200W	180W	150W	110W	60W	54W
Lumens	24000lm	21600lm	18000lm	13200lm	7200lm	6480lm
LED	Philips Lumileds					
Color temp.	3000K / 5000K					
Beam angle	120°					
Lifetime	60,000 hours					
Size	φ 400 × 240mm					
Weight	6.4kg					
Materials	Aluminum, Tempered glass					
Working temp.	-40°C~ +50°C	-40°C~ +60°C	-40°C~ +80°C	-40°C~ +100°C	-40°C~ +135°C	-40°C~ +160°C
Humidity	15~90% RH					
IP Code	IP65					

*AC/DC power supply should be installed in an environment not exceeding 60°C



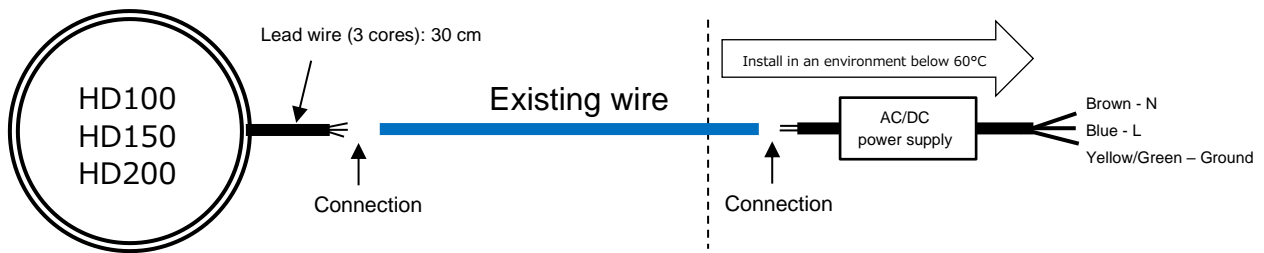
Product configuration and installation in high temperature environment

HD100 / 150 / 200 series come with an external AC/DC power supply separately from the LED itself. The external AC/DC power supply must be installed in a normal temperature environment apart from the LED itself.



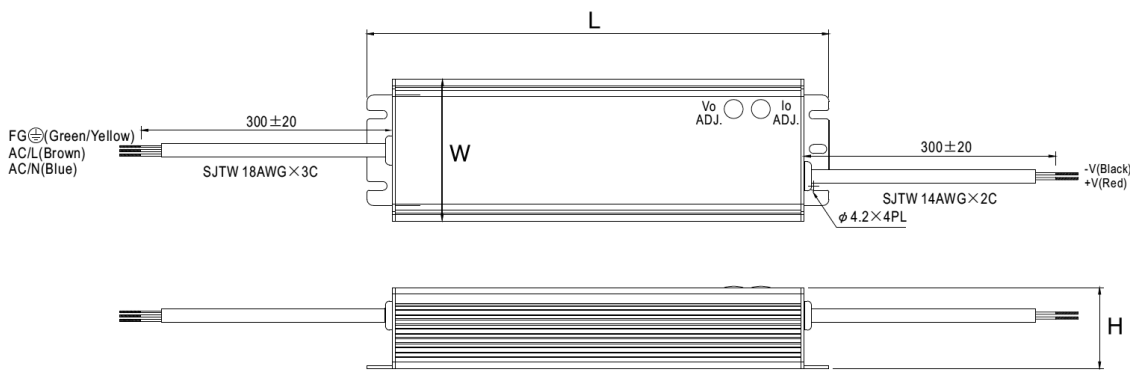
When using existing wire (heat resistant cable 25m is not included)

Connect the LED body and AC/DC power supply to the existing wires. The lead wire of the LED body is 3 cores (DC+, DC-, ground). Be sure to connect the ground wire together with the AC side ground of the AC/DC power supply.



*Depending on the length of the existing wire, the illuminance may drop by about 10% due to the voltage drop.

AC/DC power supply

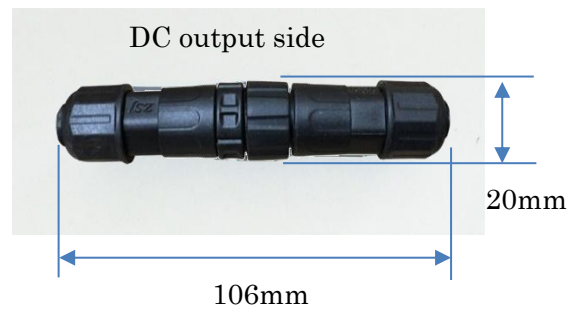
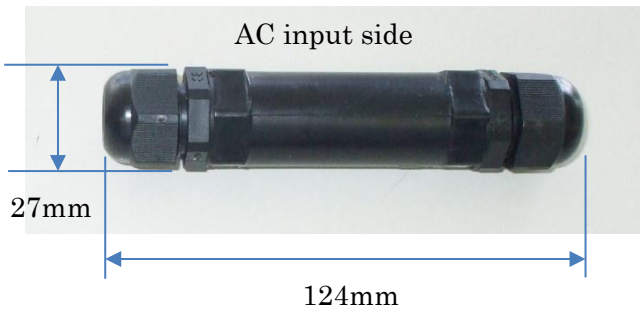


Model	Dimensions(L*W*H)	Model	Dimensions(L*W*H)
HD200	244.2×68×38.8mm	HD200-HT100	228×68×38.8mm
HD200-HT60	228×68×38.8mm	HD200-HT135	220×68×38.8mm
HD200-HT80	228×68×38.8mm	HD200-HT160	220×68×38.8mm

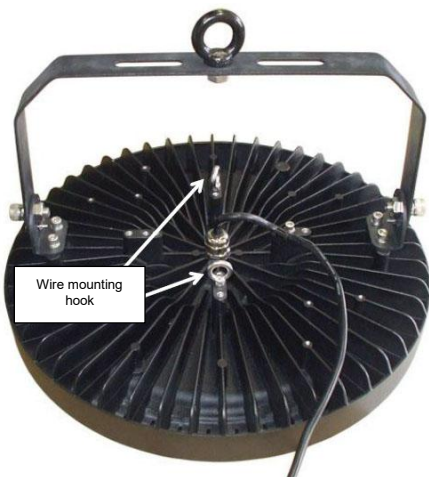
■ **Heat resistant cable**

Construction	VDE H05SS-F 3x1.0mm ² (3 cores SQ1.0mm ²)		
Temperature rating	+180°C	Outer diameter	7.00±0.40mm

■ **Connector**



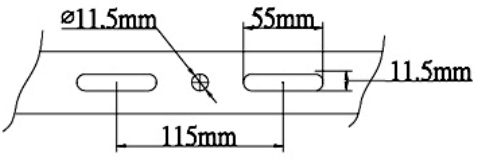
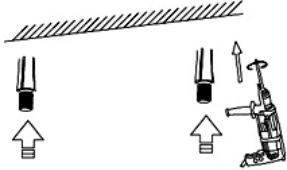
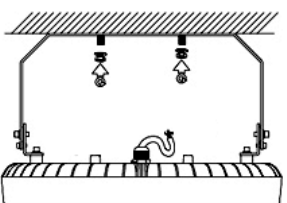
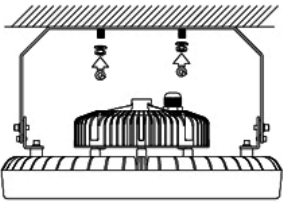
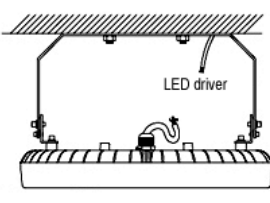
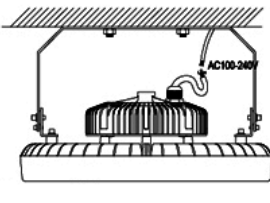
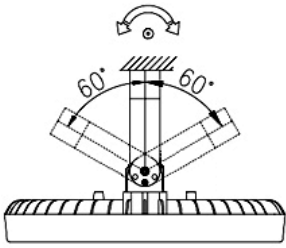
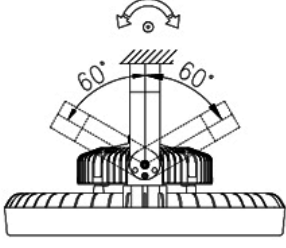
■ **Anti-fall wire (optional)**



Be sure to attach the anti-fall wire (stainless steel of $\phi 1.5\text{mm}$ or more) to the two mounting hooks on the back of the luminaire.

*Anti-fall wire is available as an option.

■ **Installation guide**

<p>Hole dimension for mounting</p> 	<p>1</p>  <p>Drilling holes in the ceiling, and install the expansion screws.</p>	
<p>2</p>  <p>Fix the bracket.</p>  <p>Fix the bracket.</p>	<p>3</p>  <p>LED driver</p> <p>Connect the cable to the driver.</p>  <p>AC100-240V</p> <p>Connect the cables. Brown-L, Blue-N, Yellow/green-Ground.</p>	<p>4</p>  <p>Adjust the bracket to the beam angle you need.</p>  <p>Adjust the bracket to the beam angle you need.</p>