

SPECIFICATIONS

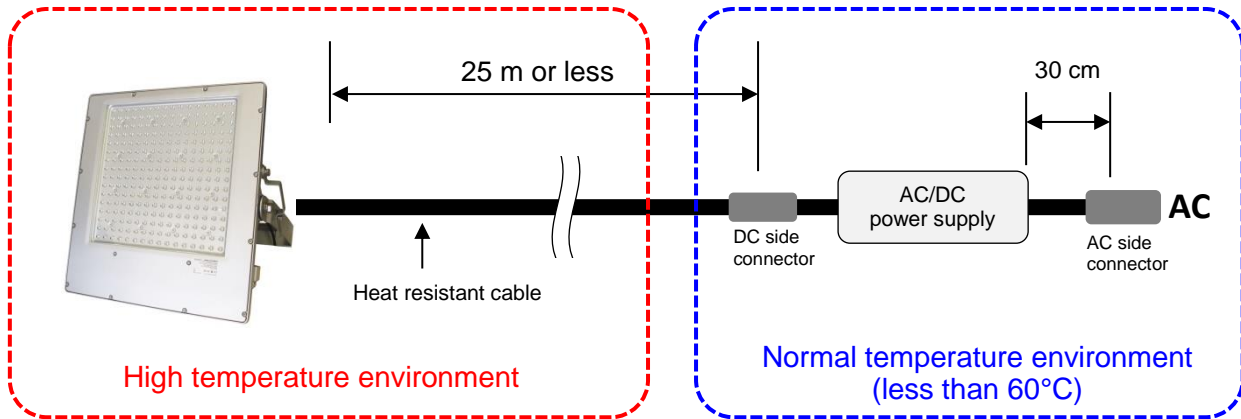
2022.01.20

LED projector for High-temperature PH-T300 series				
Model no.	PH-T300-HT60	PH-T300-HT80	PH-T300-HT100	PH-T300-HT135
Input voltage	AC100~240V 50/60Hz			
LED driver	Built-in AC-DC power supply	External AC-DC power supply		
Power	210W	180W	150W	100W
Lumens	26000 lm	22300 lm	18600 lm	12400 lm
Operating temp.	-40°C~60°C	-40°C~80°C	-40°C~100°C	-40°C~135°C
Beam angle (LED lens)	25°/ 40°/ 30×65°/ 60° / 80°/ 60×90°/ 60× 135°/ 85×150°	60×90°/ 60×135°/ 85×150°		120° (without lens)
Lifetime	60000 hours			
Color temp.	6000K (cool white)			
CRI	75 Ra			
LED	CREE			
Size	602×556×77mm			
Weight	16.5 kg			
Materials	Lamp body: Alminum alloy Cover: Tempred glass Bracket: SUS304			
IP code	IP66			



■ **Product configuration and installation in high temperature environment**

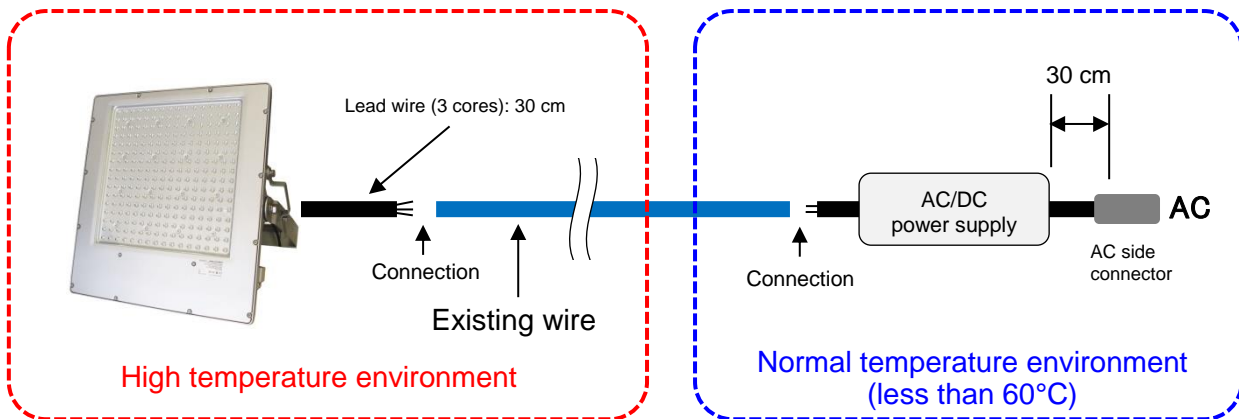
PH-T300-HT80, PH-T300-HT100 and PH-T300-HT135 comes with an external AC/DC power supply separately from the LED itself. The external AC/DC power supply must be installed in a normal temperature environment apart from the LED itself.



*If a cable longer than 25m is required, 50m or 100m cable can be prepared optional.

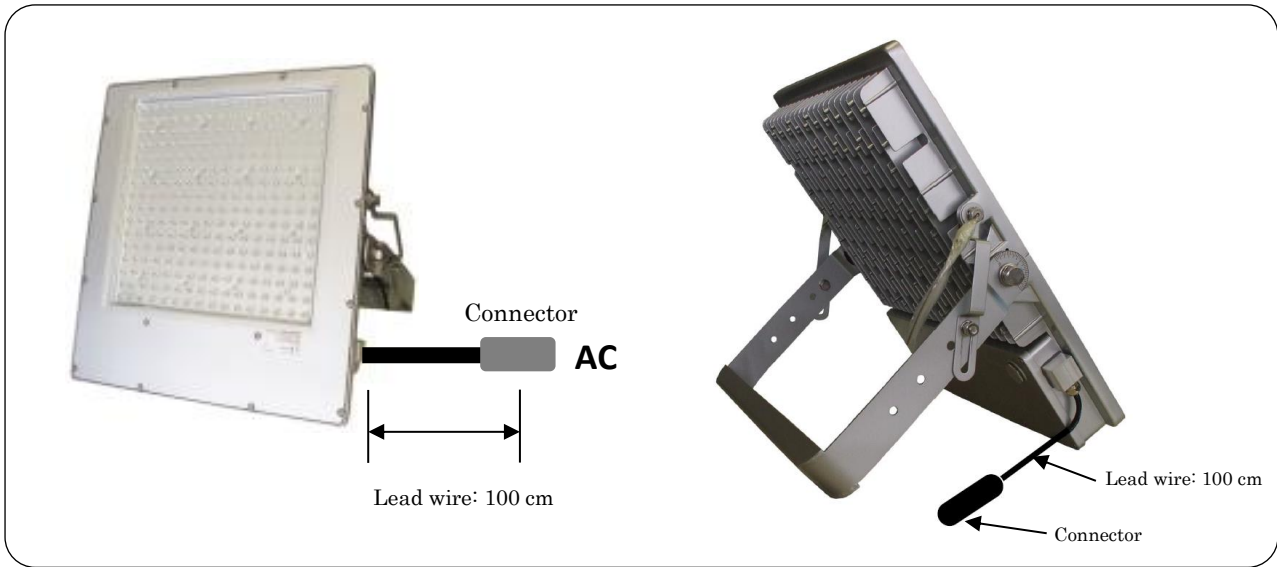
When using existing wire (heat resistant cable 25m is not included)

Connect the LED body and AC/DC power supply to the existing wires. The lead wire of the LED body is 3 cores (DC+, DC-, ground). Be sure to connect the ground wire together with the AC side ground of the AC/DC power supply.

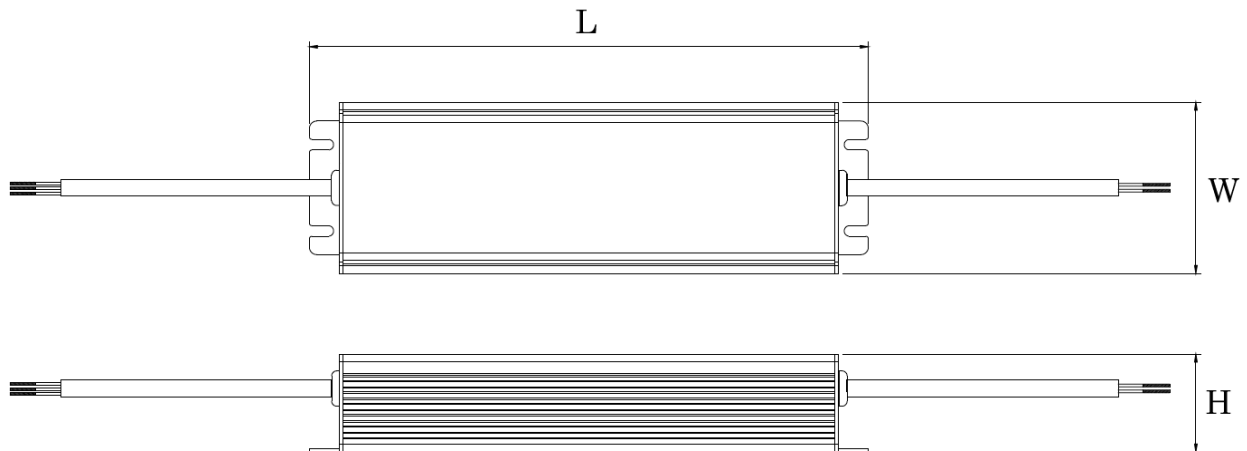


*Depending on the length of the existing wire, the illuminance may drop by about 10% due to the voltage drop.

PH-T300-HT60 is a built-in power supply type. AC line comes out directly from LED body.



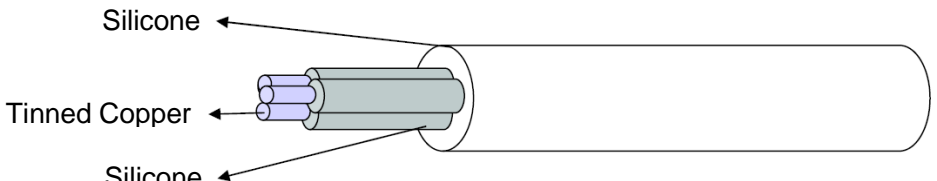
■ AC/DC power supply



Model	Dimensions(L*W*H)	Model	Dimensions(L*W*H)
PH-T300-HT60	Built-in	PH-T300-HT100	228*68*38.8mm
PH-T300-HT80	344.2*68*38.8mm	PH-T300-HT135	228*68*38.8mm

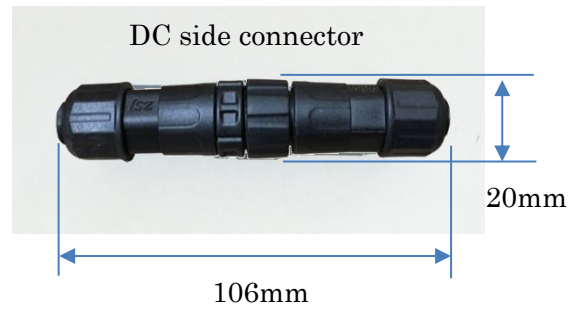
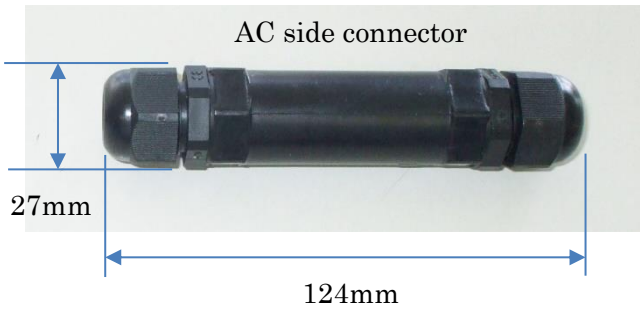
■ Heat resistant cable

Construction	VDE H05SS-F 3x1.0mm ² /30/0.2TS (3 cores, SQ1.0mm ²)
Temperature rating	+180°C
Outer diameter	7.00±0.40mm

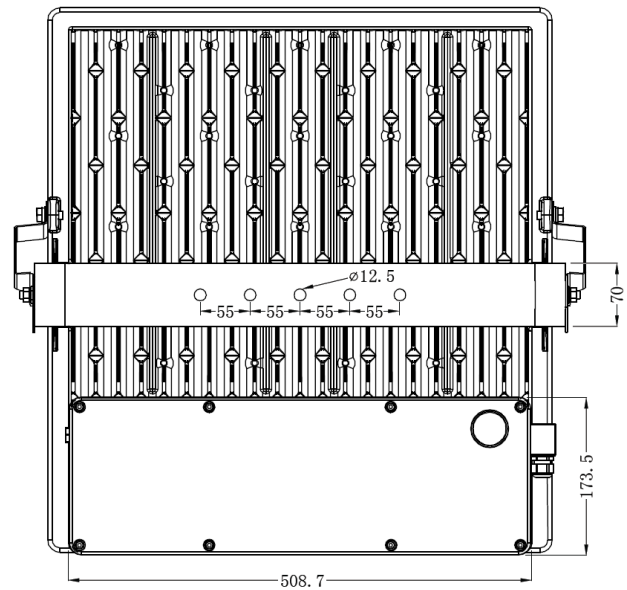
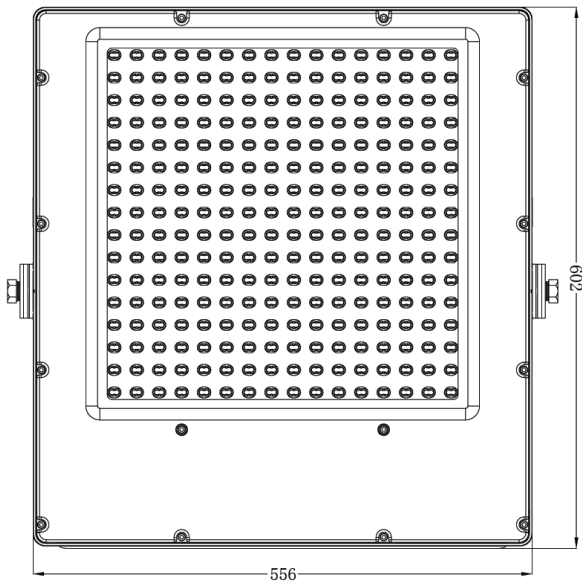


The diagram shows a cross-section of the cable with three tinned copper cores in the center, surrounded by a silicone sheath. Labels point to 'Silicone' (top and bottom), 'Tinned Copper' (center), and 'Silicone' (bottom).

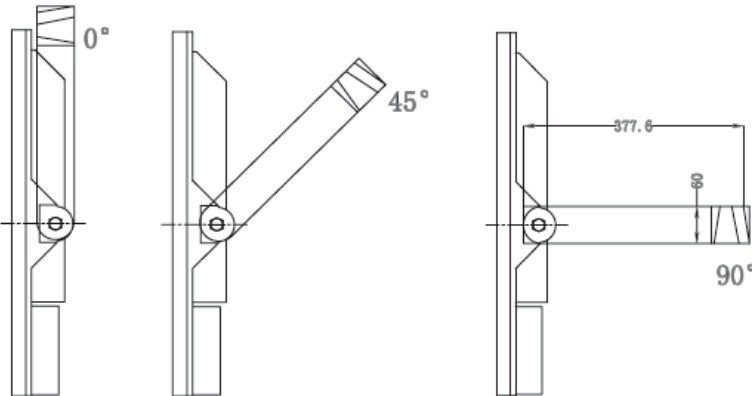
■ Connector size



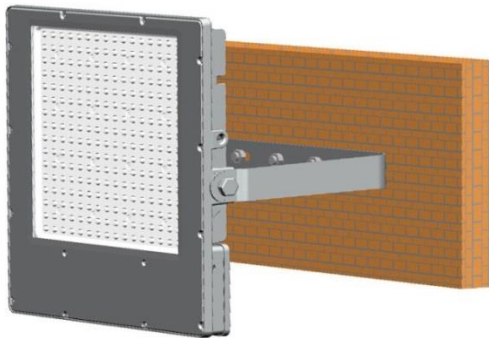
■ Outer dimensions



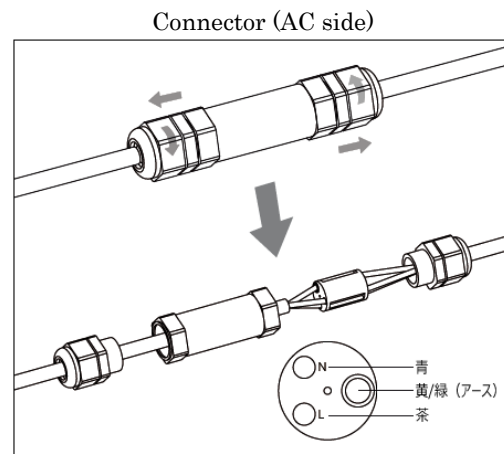
■ Bracket angle adjustment



■ How to install



Install to the ceiling or wall using M12 bolts.



■ Anti-fall wire



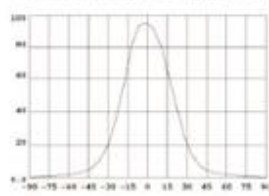
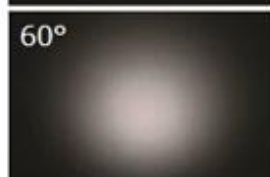
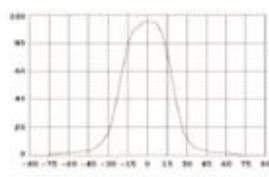
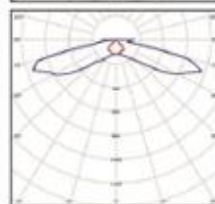
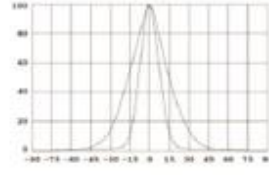
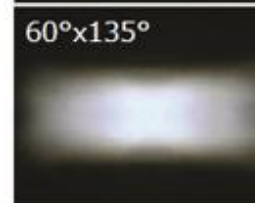
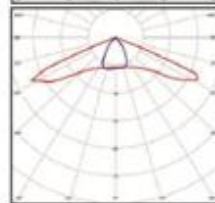
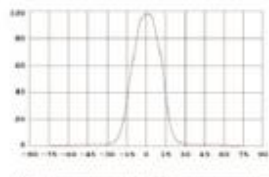
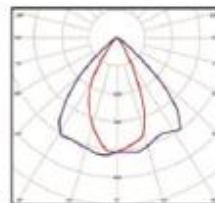
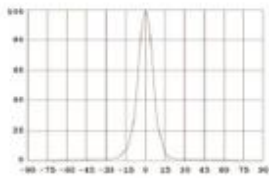
PH-T300 series comes with two anti-fall wires as standard.

Anti-fall wire (2 pcs)
φ 3mm, length: 900mm

■ **Beam angle (LED lens)**

The following beam angles are available.

Model	PH-T300-HT60	PH-T300-HT80 / PH-T300-HT100
Beam angle	25° / 40° / 30×65° / 60° / 80° / 60×90° / 60×135° / 85×150°	60×90° / 60×135° / 85×150°



For PH-T300-HT135, LED lens cannot be used, so the beam angle is 120 degrees (without lens).