

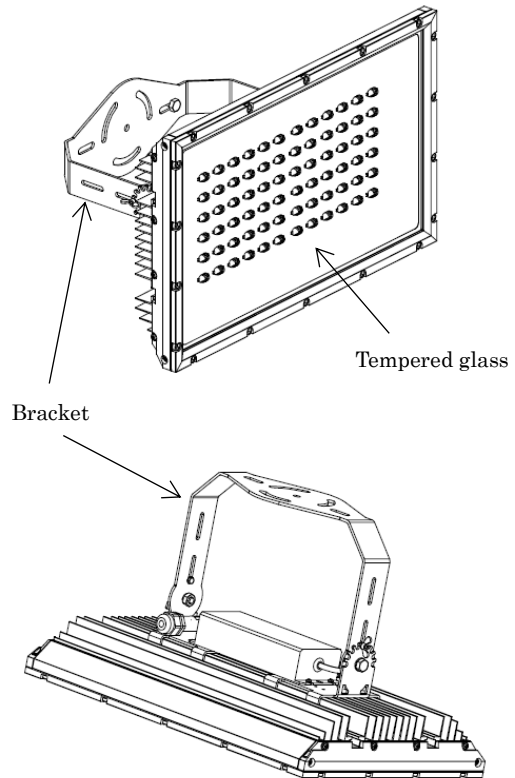


**SPECIFICATIONS**

2017.12.18

<b>LED projector for High-temperature +80°C PH-T series</b>			
Model	<b>PH-T12-HT80</b>	<b>PH-T24-HT80</b>	<b>PH-T48-HT80</b>
Power	12W	24W	46W
Lumens	920lm	1920lm	3840lm
Size	286×108×204mm	286×177×204mm	317×286×267mm
Weight	3.0kg	4.0kg	7.0kg
Model	<b>PH-T72-HT80</b>	<b>PH-T96-HT80</b>	<b>PH-T120-HT80</b>
Power	67W	88W	108W
Lumens	5760lm	7680lm	9200lm
Size	457×286×267mm	597×286×267mm	737×286×267mm
Weight	9.0kg	11.0kg	13.0kg

<b>Common Specifications</b>	
Input Voltage	AC100~240V 50/60Hz
Color temp.	6000K (Cool white)
CRI	70+
LED	CREE
Lifetime	30000 hours
Cone Angle	60° × 90°
	60° × 135°
	85° × 150°
Material	Lamp body: Aluminun alloy
	Cover: Tempred glass
	Bracket: SUS304
Bpdy color	Silver
Operating ambient temperature	-40°C ~ +80°C (Lamp)
	-40°C ~ +60°C (LED driver)
IP Code	IP67
LED driver	Meanwell LED driver*
Guarantee	1 year



\*LED driver should be installed in normal ambient temperature away from the luminaire.  
The cable length between the luminaire and the driver should be within 25m.



PH-T12-HT80	PH-T24-HT80	PH-T48-HT80

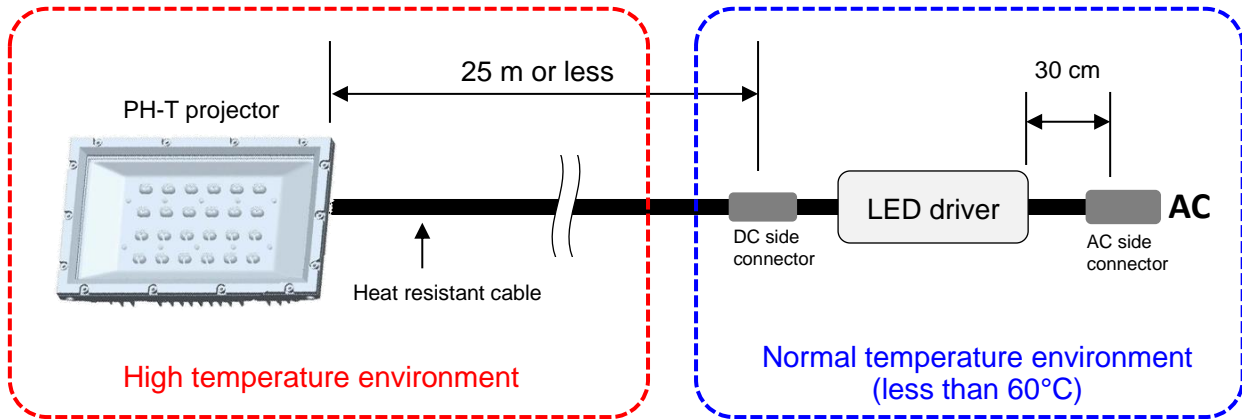
PH-T72-HT80	PH-T96-HT80	PH-T120-HT80



■ Installation at high ambient temperature environment

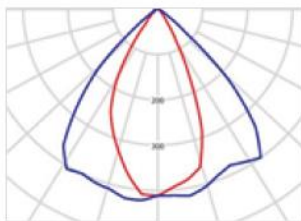
External LED driver is attached to PH-T series.

LED driver should be installed in normal ambient temperature away from the luminaire.

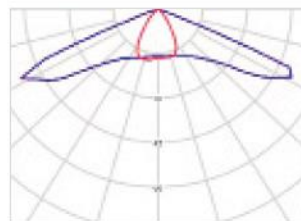


■ Cone angle

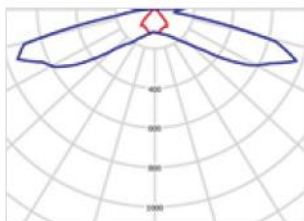
60°x90°



60°x135°



85°x150°

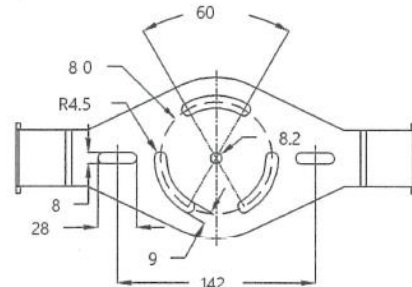
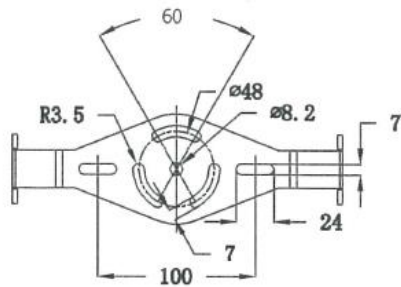
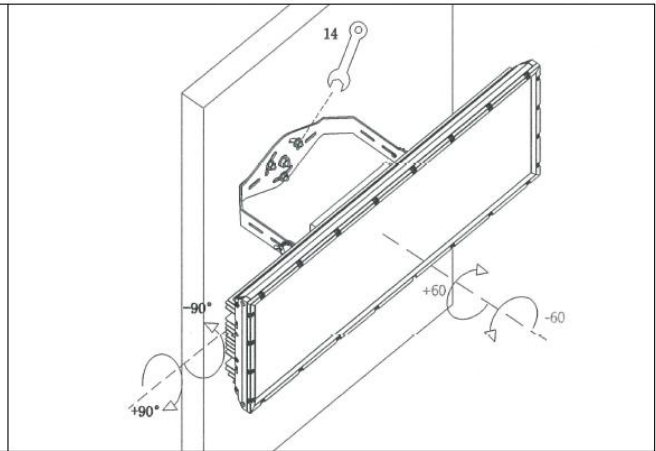
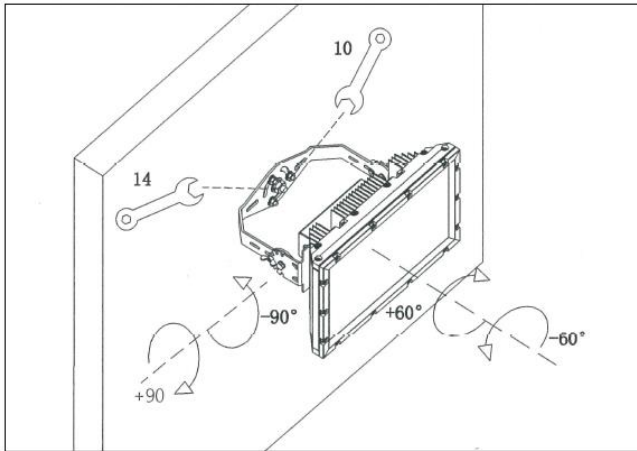




■ How to Install

PH-T12 / PH-T24

PH-T48 / PH-T72 / PH-T96 / PH-T120



■ Connector (AC side)

■ Holder Options

