

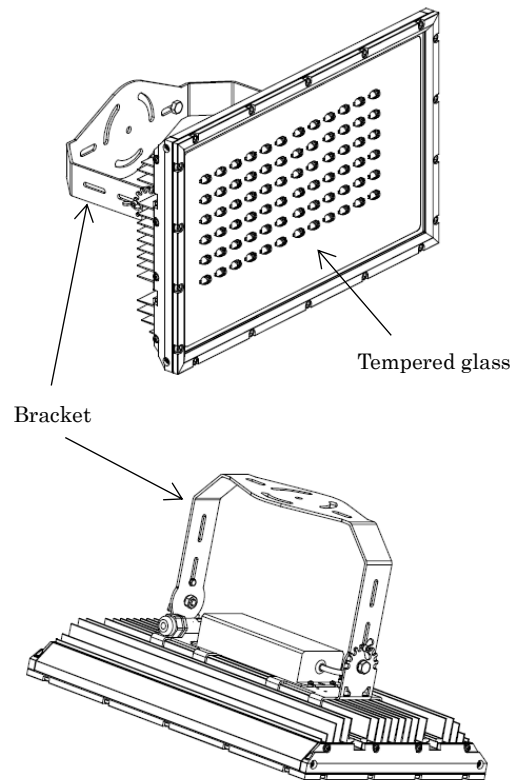


SPECIFICATIONS

2017.12.18




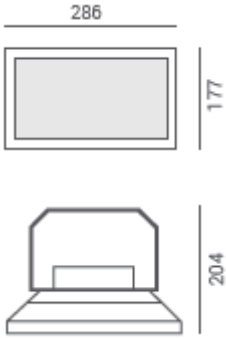
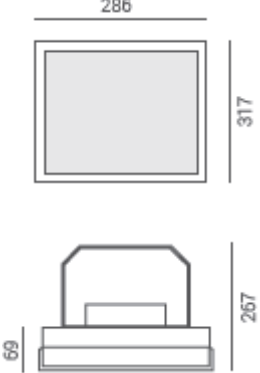
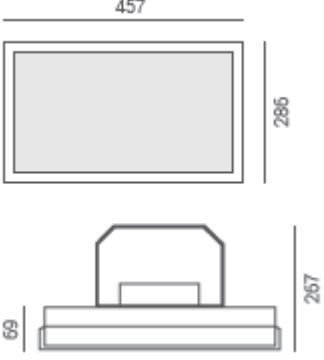
| LED projector for High-temperature +90°C PH-T series | | | |
|--|---------------|---------------|---------------|
| Model | PH-T24-HT90 | PH-T48-HT90 | PH-T72-HT90 |
| Power | 21W | 40W | 59W |
| Lumens | 1680lm | 3360lm | 5040lm |
| Size | 286×177×204mm | 317×286×267mm | 457×286×267mm |
| Weight | 4.0kg | 7.0kg | 9.0kg |
| Model | PH-T96-HT90 | PH-T120-HT90 | |
| Power | 77W | 94W | |
| Lumens | 6720lm | 8050lm | |
| Size | 597×286×267mm | 737×286×267mm | |
| Weight | 11.0kg | 13.0kg | |



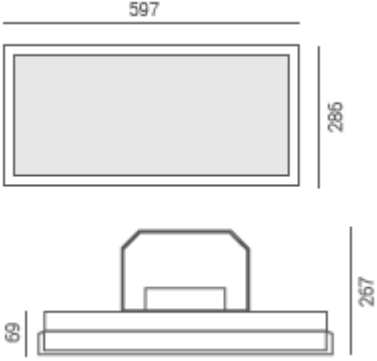
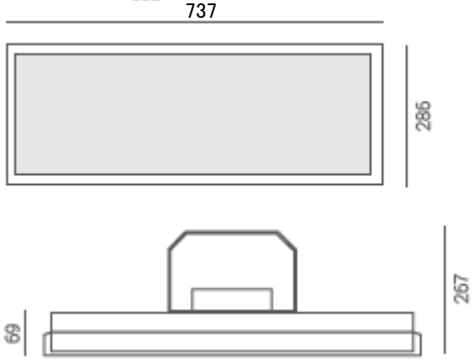
| Common Specifications | |
|-------------------------------|----------------------------|
| Input Voltage | AC100~240V 50/60Hz |
| Color temp. | 6000K (Cool white) |
| CRI | 70+ |
| LED | CREE |
| Lifetime | 20000 hours |
| Cone Angle | 60° × 90° |
| | 60° × 135° |
| | 85° × 150° |
| Material | Lamp body: Alminum alloy |
| | Cover: Tempred glass |
| | Bracket: SUS304 |
| Bpdy color | Silver |
| Operating ambient temperature | -40°C ~ +90°C (Lamp) |
| | -40°C ~ +60°C (LED driver) |
| IP Code | IP67 |
| LED driver | Meanwell LED driver* |
| Guarantee | 1 year |



*LED driver should be installed in normal ambient temperature away from the luminaire.
The cable length between the luminaire and the driver should be within 25m.



| PH-T24-HT90 | PH-T48-HT90 | PH-T72-HT90 |
|--|--|--|
|  |  |  |
|  |  |  |

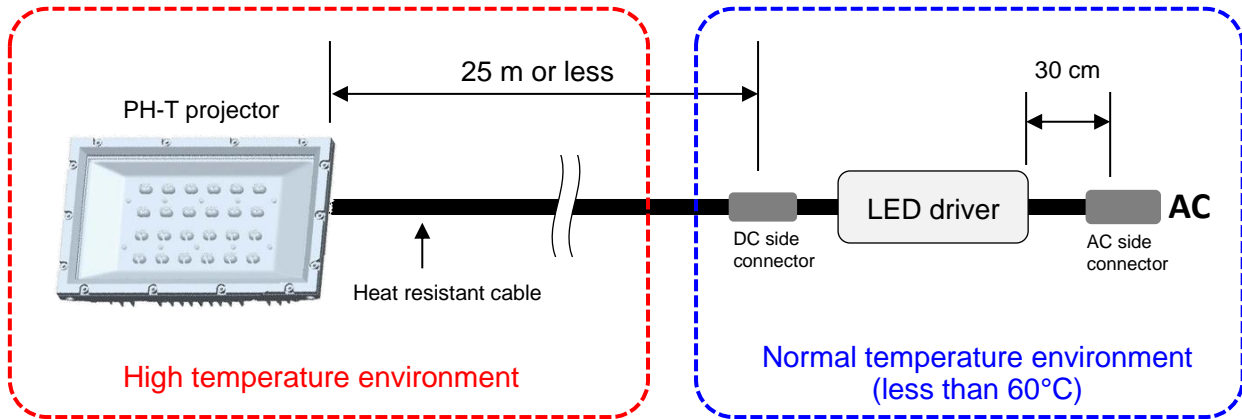
| PH-T96-HT90 | PH-T120-HT90 |
|---|--|
|  |  |
|  |  |



■ Installation at high ambient temperature environment

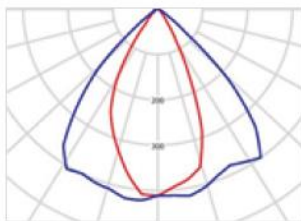
External LED driver is attached to PH-T series.

LED driver should be installed in normal ambient temperature away from the luminaire.

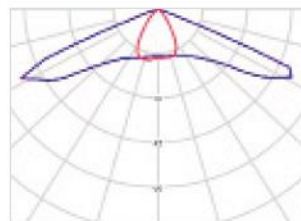


■ Cone angle

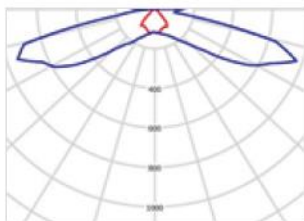
60°x90°



60°x135°



85°x150°

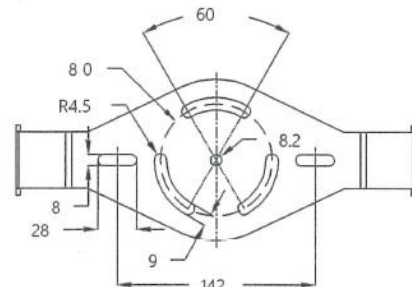
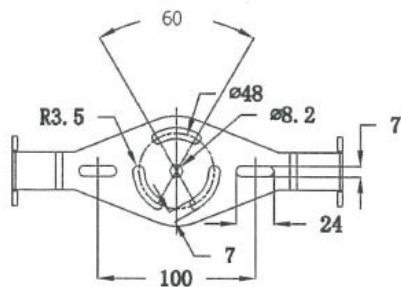
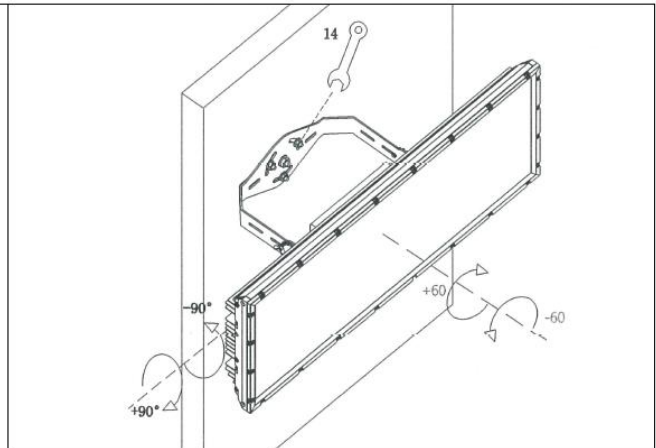
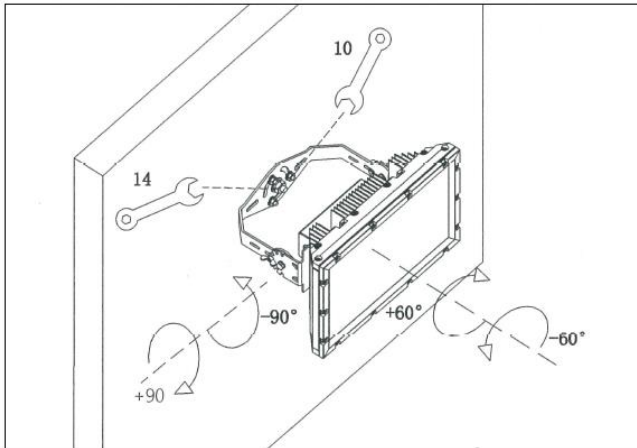




■ How to Install

PH-T24

PH-T48 / PH-T72 / PH-T96 / PH-T120



■ Connector (AC side)

■ Holder Options

