

SPECIFICATIONS

2022.01.20




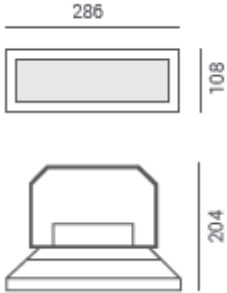
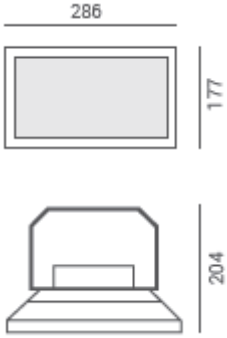
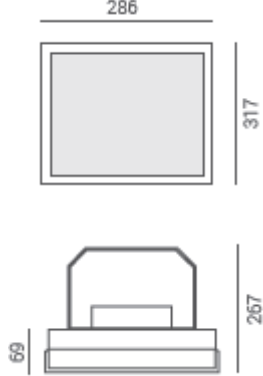
LED projector for High-temperature PH-T series						
Type	Model no.	Temperature rating	Power	Lumens	Size	Weight
PH-T12	PH-T12-HT80	+80°C	12W	1200 lm	286×108×204mm	3.0kg
PH-T24	PH-T24-HT80	+80°C	24W	2450 lm	286×177×204mm	4.0kg
	PH-T24-HT90	+90°C	21W	2150 lm		
	PH-T24-HT100	+100°C	18W	1840 lm		
PH-T48	PH-T48-HT80	+80°C	46W	4960 lm	317×286×267mm	7.0kg
	PH-T48-HT90	+90°C	40W	4340 lm		
	PH-T48-HT100	+100°C	35W	3720 lm		
	PH-T48-HT135	+135°C	22W	2400 lm		
PH-T72	PH-T72-HT80	+80°C	67W	7360 lm	457×286×267mm	9.0kg
	PH-T72-HT90	+90°C	59W	6440 lm		
	PH-T72-HT100	+100°C	50W	5520 lm		
	PH-T72-HT135	+135°C	32W	3580 lm		
PH-T120	PH-T120-HT80	+80°C	108W	12200 lm	737×286×267mm	13.0kg
	PH-T120-HT90	+90°C	94W	10700 lm		
	PH-T120-HT100	+100°C	80W	9200 lm		
	PH-T120-HT135	+135°C	52W	5970 lm		



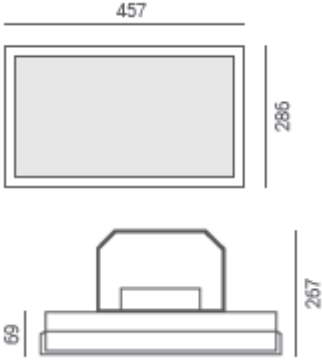
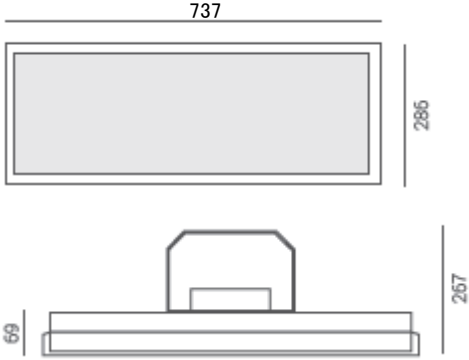
Common Specifications

Input voltage	AC100~240V 50/60Hz
Color temp.	6000K (Cool white)
CRI	70+
LED	CREE
Lifetime	60000 hours (-HT135: 20000 hours)
Beam angle	60°×90°, 60°×135° 85°×150°

Material	Lamp body: Alminum alloy Cover: Tempred glass Bracket: SUS304
Operating temperature	-40°C ~ +80°C (-HT80) -40°C ~ +90°C (-HT90) -40°C ~ +100°C (-HT100) -40°C ~ +135°C (-HT135)
IP Code	IP67
LED driver	Meanwell AC/DC power supply*
Guarantee	1 year

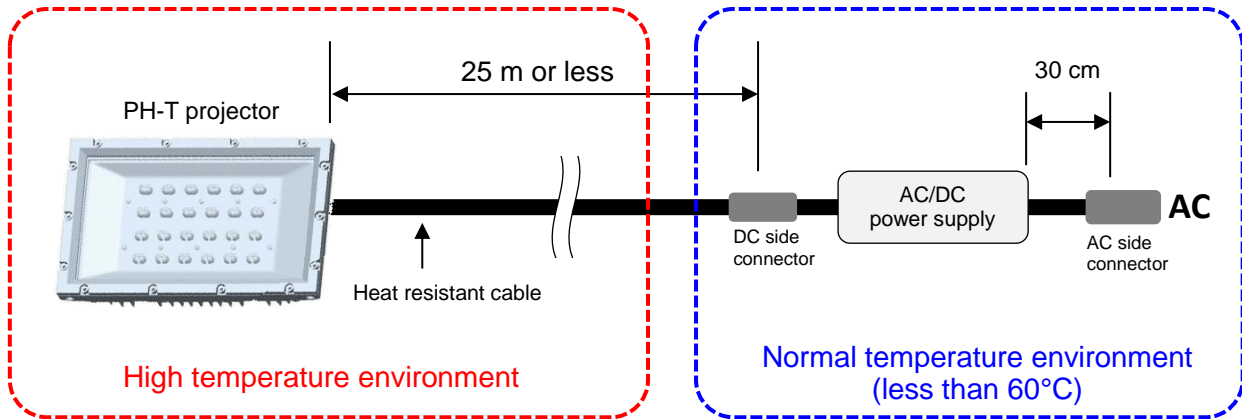
■ Appearance and dimensions

PH-T12	PH-T24	PH-T48
		
		

PH-T72	PH-T120
	
	

■ Product configuration and installation in high temperature environment

PH-T series comes with an external AC/DC power supply separately from the LED itself. The external AC/DC power supply must be installed in a normal temperature environment apart from the LED itself.

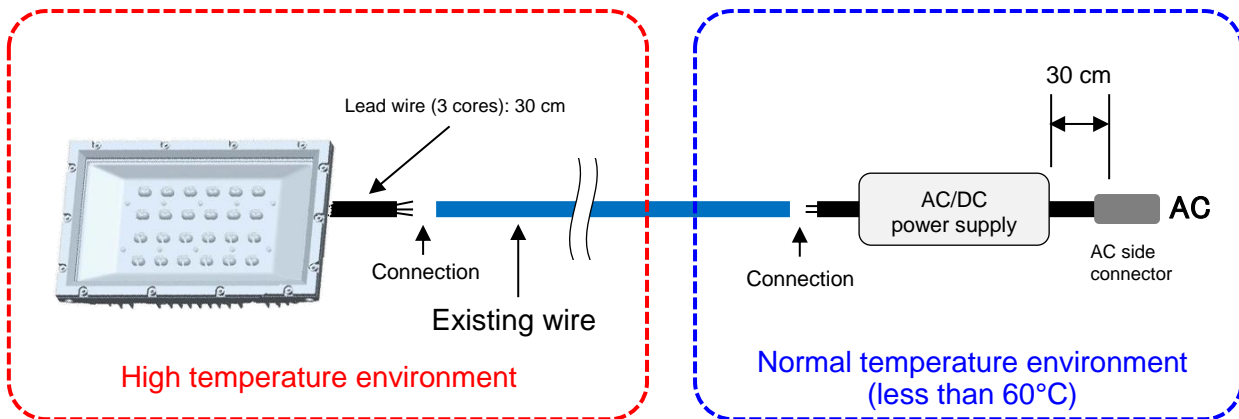


*If a cable longer than 25m is required, 50m or 100m cable can be prepared optional.

When using existing wire (heat resistant cable 25m is not included)

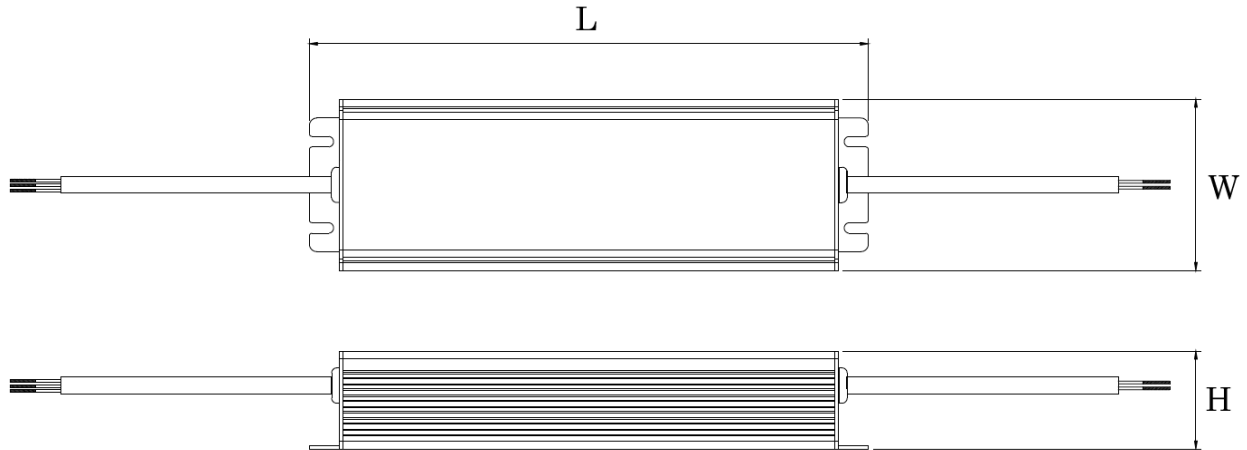
Connect the LED body and AC/DC power supply to the existing wires.

The lead wire of the LED body is 3 cores (DC+, DC-, ground). Be sure to connect the ground wire together with the AC side ground of the AC/DC power supply.



*Depending on the length of the existing wire, the illuminance may drop by about 10% due to the voltage drop.

■ AC/DC power supply



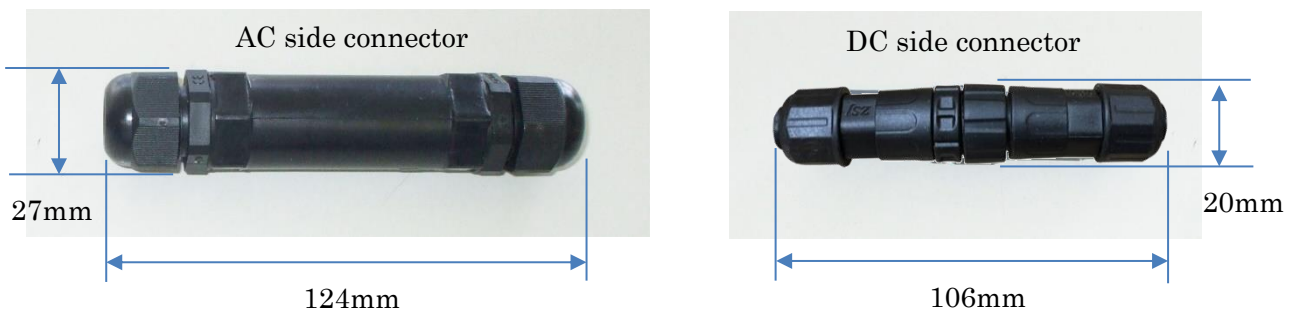
Model	Dimensions(L*W*H)
PH-T12-HT80	148*40*32mm
PH-T24-HT80, PH-T24-HT90, PH-T24-HT100, PH-T48-HT80, PH-T48-HT90, PH-T48-HT100, PH-T48-HT135 PH-T72-HT90, PH-T72-HT100, PH-T72-HT135, PH-T120-HT135	171*61.5*36.8mm
PH-T72-HT80	195.6*61.5*38.8mm
PH-T120-HT80, PH-T120-HT90, PH-T120-HT100	220*68*38.8mm

■ Heat resistant cable

Construction	VDE H05SS-F 3x1.0mm ² /30/0.2TS (3 cores, SQ1.0mm ²)
Temperature rating	+180°C
Outer diameter	7.00±0.40mm

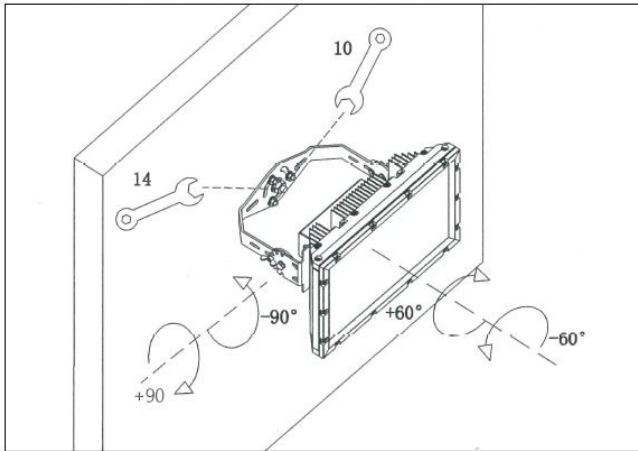
The diagram shows a cross-section of the cable with three inner cores labeled 'Tinned Copper' and an outer jacket labeled 'Silicone'.

■ Connector size

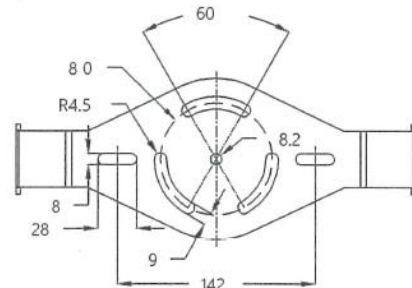
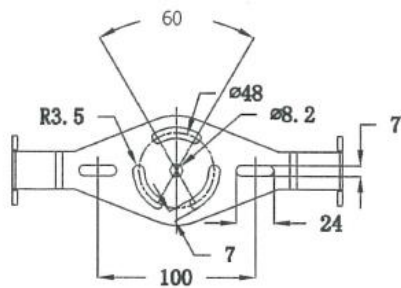
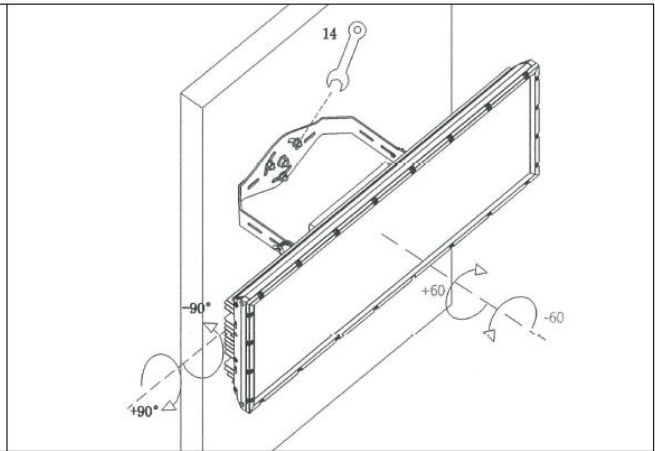


■ How to Install

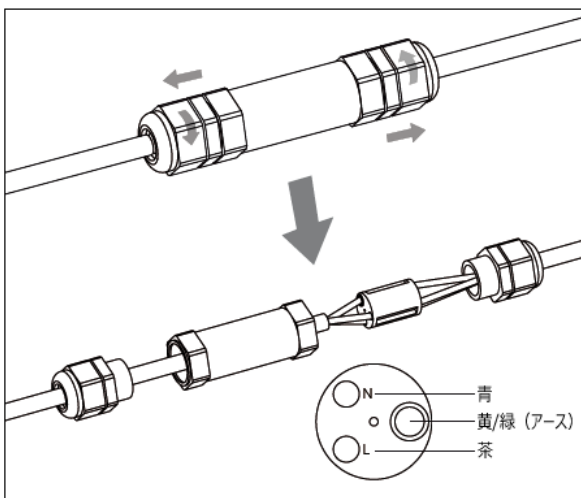
PH-T12 / PH-T24



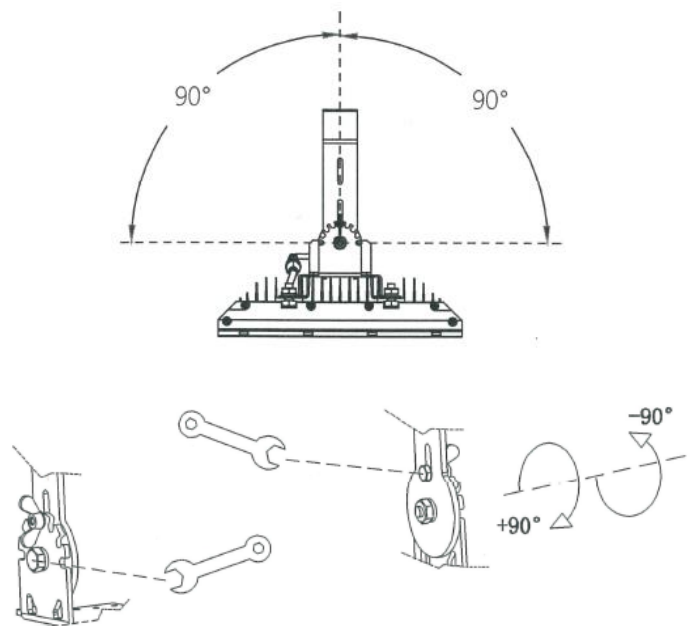
PH-T48 / PH-T72 / PH-T120



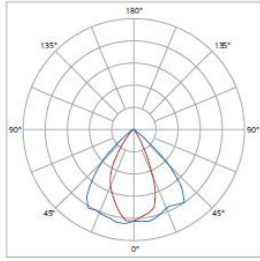
■ Connector (AC side)



■ Holder Options



■ **Beam angles**



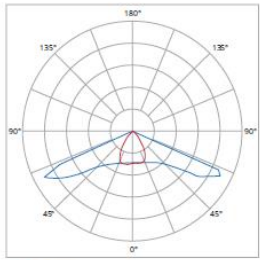
060090

60x90°



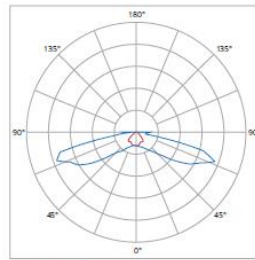
Standard: 60×90°

60x90° or 85x150° can be selected



060135

60x135°



085150

85x150°

