

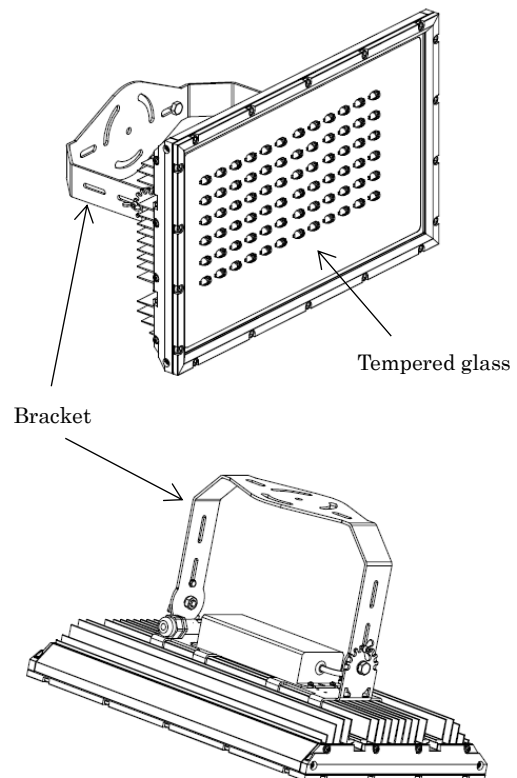


**SPECIFICATIONS**

2022.01.20

<b>LED projector PH-T series</b>			
Model	PH-T12	PH-T24	PH-T48
Power	15W	30W	57W
Lumens	1530 lm	3060 lm	6200 lm
Size	286×108×204mm	286×177×204mm	317×286×267mm
Weight	3.0kg	4.0kg	7.0kg
Model	PH-T72	PH-T120	
Power	84W	135W	
Lumens	9200 lm	15300 lm	
Size	457×286×267mm	737×286×267mm	
Weight	9.0kg	13.0kg	

<b>Common Specifications</b>	
Input Voltage	AC100~240V 50/60Hz
Color temp.	6000K (Cool white)
CRI	70+
LED	CREE
Lifetime	50000 hours
Cone Angle	25°/40°/30×65°/60°/ 80°/60°×90°/60°×135°/ 85°×150°
Material	Lamp body: Alminum alloy Cover: Tempred glass Bracket: SUS304
Bpdy color	Silver
Operating ambient temperature	-40°C~+60°C
IP Code	IP67
LED driver	Meanwell LED driver
Guarantee	2 years



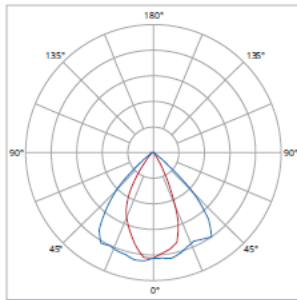


PH-T12	PH-T24	PH-T48

PH-T72	PH-T120

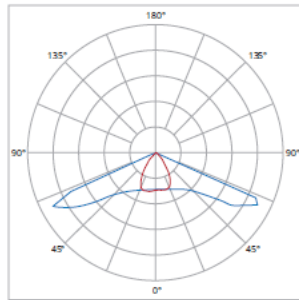


■ Cone Angle



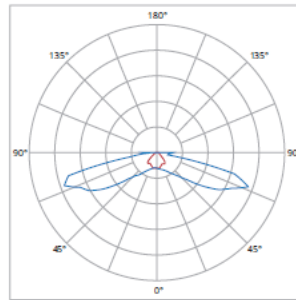
060090

60x90°



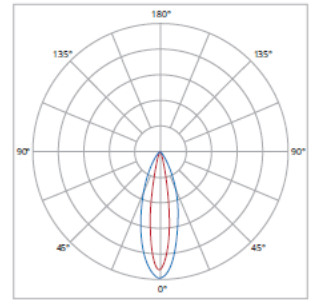
060135

60x135°



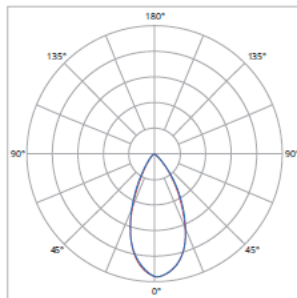
085150

85x150°



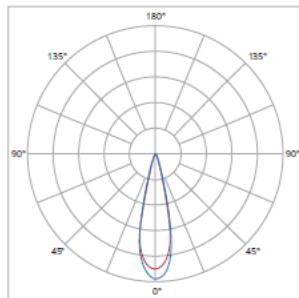
030065

30x65°



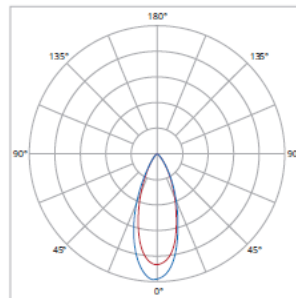
080080

80°



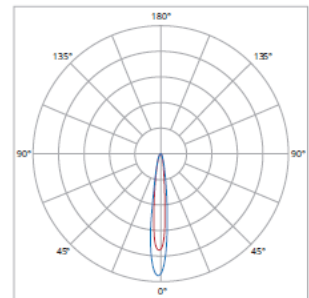
040040

40°



060060

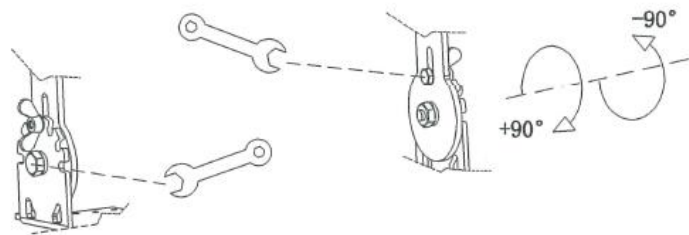
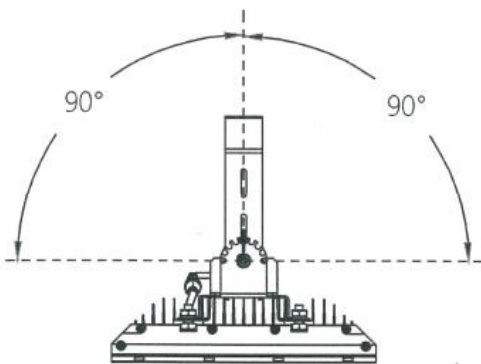
60°



025025

25°

■ Holder Options

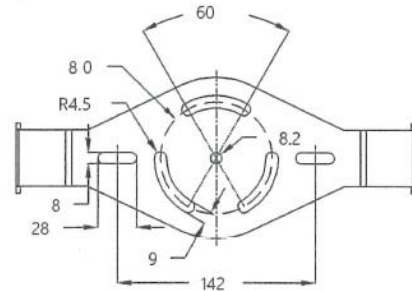
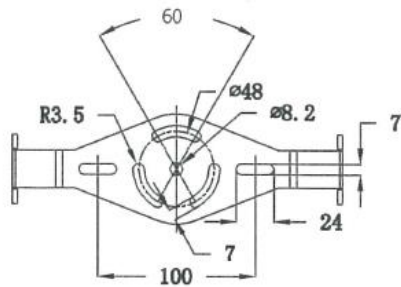
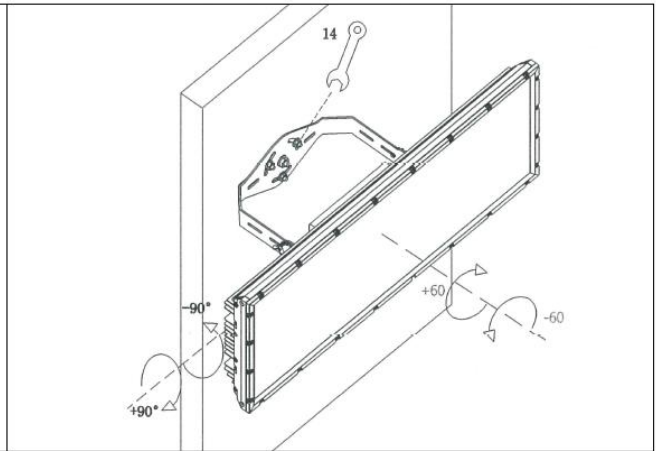
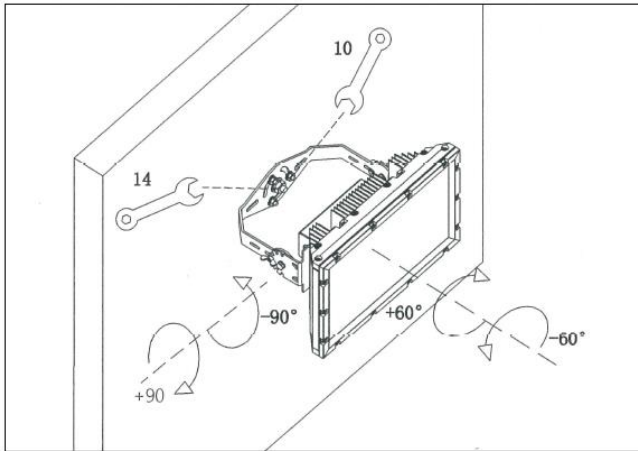




■ How to Install

PH-T12 / PH-T24

PH-T48 / PH-T72 / PH-T120



■ Connector

